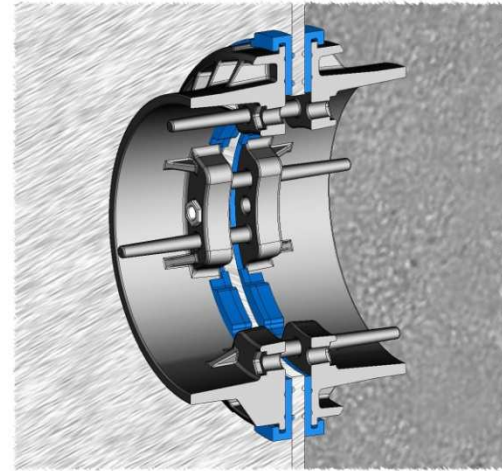


The ABKFD Kwik Fit Series are double sided new construction fittings designed for single walled sumps. These fittings work on both curved and flat sumps.



These fittings require a 3" Hole Saw / 76mm (Blueline part number ACB023, Section 6 - Accessories)

Hole Saw Size	Part Number	MM	Description	List Price
3"	ABKFD1.4	35	Double Sided Entry Fitting for Flat or Curved Sumps, incl (2) PEI 1.4x1.0	\$68
3"	ABKFD1.6	40	Double Sided Entry Fitting for Flat or Curved Sumps, incl (2) PEI 1.6x1.26	\$68

These fittings require a 5" Hole Saw / 130mm (Blueline part number ACB024, Section 6 - Accessories)

Hole Saw Size	Part Number	MM	Description	List Price
5"	ABKFD2.0	50	Double Sided Entry Fitting for Flat or Curved Sumps	\$82
5"	ABKFD2.5	63	Double Sided Entry Fitting for Flat or Curved Sumps	\$82
5"	ABKFD2.7	68	Double Sided Entry Fitting for Flat or Curved Sumps	\$82
5"	ABKFD3.0	75	Double Sided Entry Fitting for Flat or Curved Sumps	\$82
5"	ABKFD3.5	90	Double Sided Entry Fitting for Flat or Curved Sumps	\$82
5"	ABKFD3.5L	90	Double Sided Entry Fitting for Flat or Curved Sumps (Large housing)	\$96
5"	ABKFD3.5x2.5A	90/63	Kwik fit double sided entry boot (medium housing) 3" over 2" with air test	\$89
5"	ABKFD3.7	96	Double Sided Entry Fitting for Flat or Curved Sumps	\$82
5"	ABKFD4.5	114	Double Sided Entry Fitting for Flat or Curved Sumps	\$96
5"	ABKFD4.8x2.0	125/50	Double Sided Entry Fitting for Flat or Curved Sumps - 1 1/2" Flex w/ Duct	\$82
5"	ABKFD4.8x2.5	125/68	Double Sided Entry Fitting for Flat or Curved Sumps - 2" Flex w/ Duct	\$82

These fittings require a 6 5/8" Hole Saw / 175mm (Blueline part number ACB025, Section 6 - Accessories)

Hole Saw Size	Part Number	MM	Description	List Price
6 5/8"	ABKFD3.5L	90	Double Sided Entry Fitting for Flat or Curved Sumps	96
6 5/8"	ABKFD3.5x2.5 LA	90/63	Kwik fit double sided entry boot (large housing) 3" over 2" with air test	\$96
6 5/8"	ABKFD4.3	110	Double Sided Entry Fitting for Flat or Curved Sumps	\$96
6 5/8"	ABKFD4.5	115	Double Sided Entry Fitting for Flat or Curved Sumps	\$ 96
6 5/8"	ABKFD4.5x3.5A	115/90	Double Sided Entry Fitting for Flat or Curved Sumps, with air test	\$ 103
6 5/8"	ABKFD4.8	125	Double Sided Entry Fitting for Flat or Curved Sumps	\$ 96
6 5/8"	ABKFD5.0	130	Double Sided Entry Fitting for Flat or Curved Sumps	\$ 96
6 5/8"	ABKFD4.8x1.9x1.4	125/50/35	Double Sided Entry Fitting for Flat or Curved Sumps	\$ 96
6 5/8"	ABKFD4.8x1.9x1.4A	125/50/35	Double Sided Entry Fitting for Flat or Curved Sumps, with air test	\$ 103