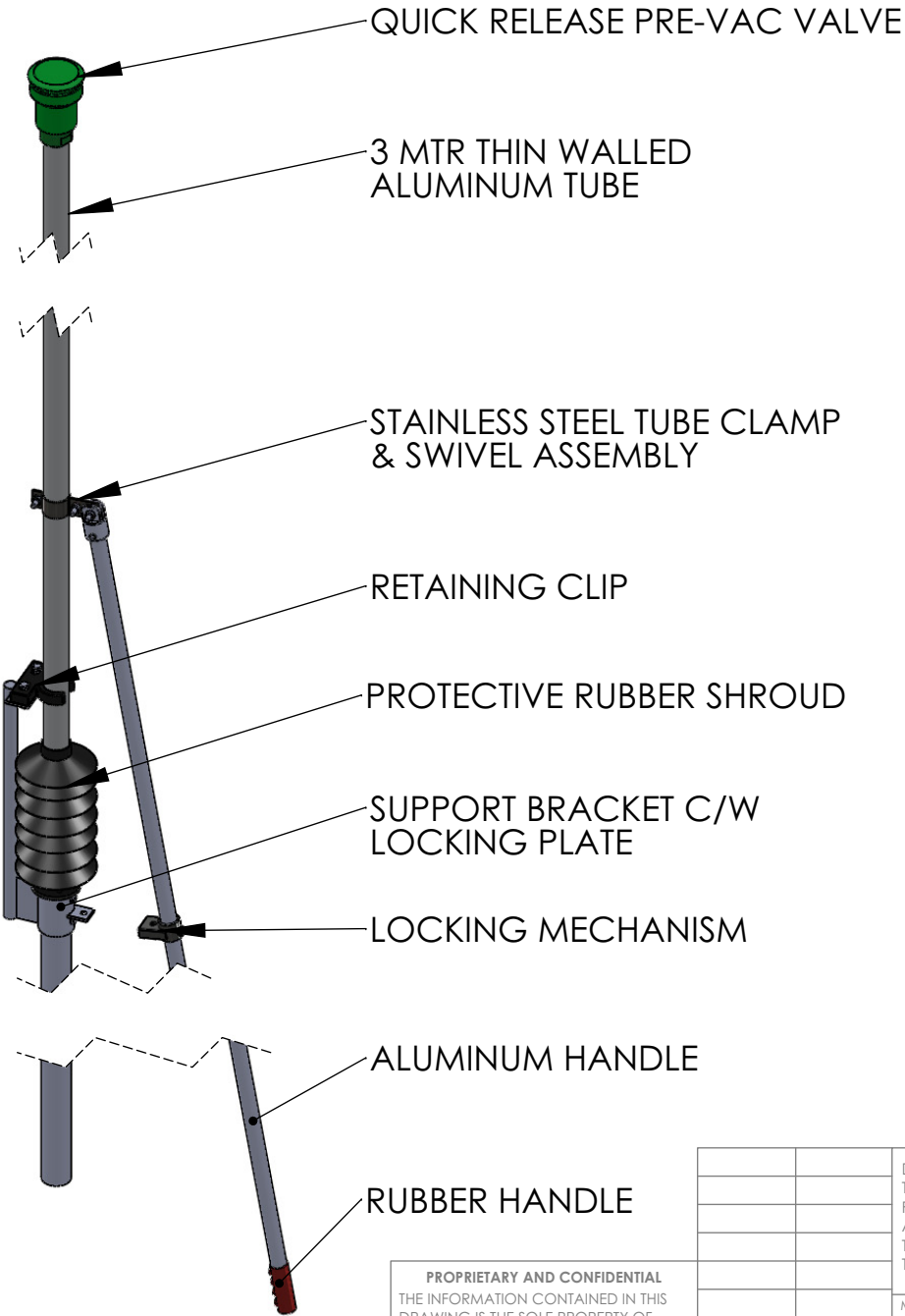
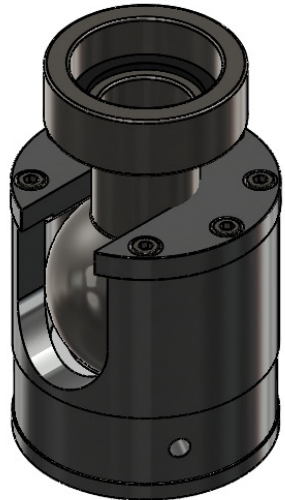


EASY RISER KNUCKLE JOINT



PROPRIETARY AND CONFIDENTIAL
 THE INFORMATION CONTAINED IN THIS DRAWING IS THE SOLE PROPERTY OF D.BERRY & CO. ANY REPRODUCTION IN PART OR AS A WHOLE WITHOUT THE WRITTEN PERMISSION OF D BERRY & CO IS PROHIBITED.

| | | | | | | |
|-------------|---------|-------------------------------|--|-----------|------|---|
| | | DIMENSIONS ARE IN MILLIMETERS | | NAME | DATE | D.BERRY & CO |
| | | TOLERANCES: | | DRAWN | J.W | |
| | | FRACTIONAL ± | | CHECKED | | EASY RISER VENT ASSEMBLY |
| | | ANGULAR: MACH ± BEND ± | | ENG APPR. | | |
| | | TWO PLACE DECIMAL ± | | MFG APPR. | | |
| | | THREE PLACE DECIMAL ± | | Q.A. | | |
| | | MATERIAL | | COMMENTS: | | SIZE A DWG. NO. DWGMC0041 REV. SCALE:1:50 WEIGHT: SHEET 1 OF 1 |
| NEXT ASSY | USED ON | FINISH | | | | |
| APPLICATION | | DO NOT SCALE DRAWING | | | | |