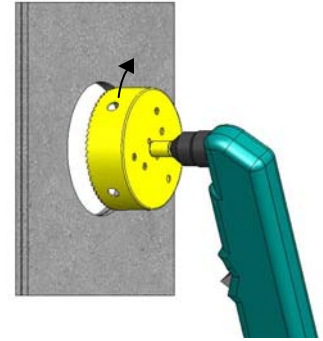


K2 Series Penetration Fittings Installation Instructions

(For Double Walled Continuously Monitored Sumps – Flexible Piping with 4 Inch Duct)

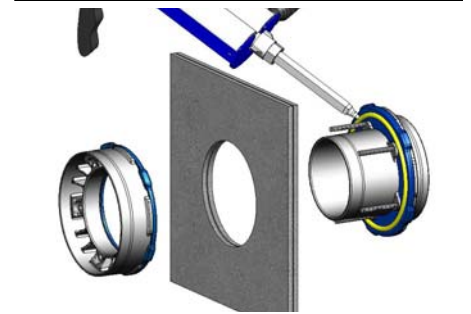
STEP 1

Cut a 5 1/4" hole in the sump wall using a hole saw. Sand around the perimeter of the hole about two inches out to break any gel coat.



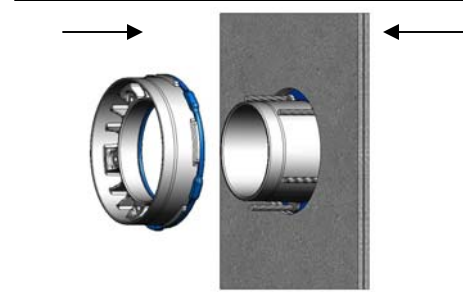
STEP 2

Install both the gaskets on the inner and outer housings. Ensure all tabs are snapped in place. Apply a 1/4 " bead of BLUE BOND 801 (BBND801) on both gasket surfaces.



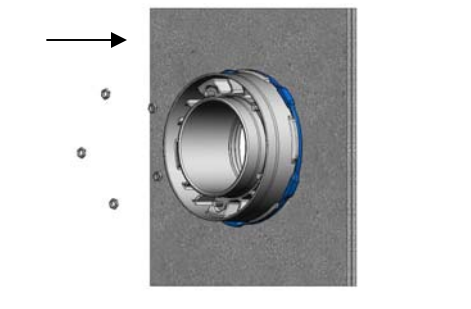
STEP 3

Slide the exterior housing through the hole in the sump wall with the bolts facing into the interior of the sump. Ensure the fitting is properly centered in the hole.



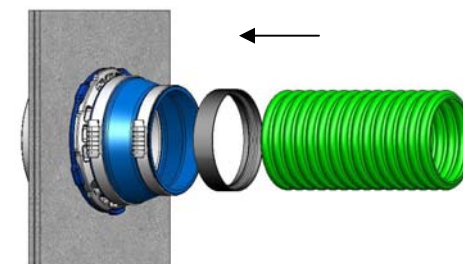
STEP 4

Install the interior housing over the studs. Install the nuts and tighten in a star pattern until both gaskets are fully seated against the sump wall. Tighten nuts to approximately 65-75 inch lbs. **Due to variance in sump wall thicknesses, the included washers may be added before installation of the nuts to facilitate tightening the fitting.**



STEP 5

Install the exterior boot and the tighten the clamp to the housing cuff. The purpose of this boot is to hold the duct pipe in place. It is not a part of the monitored system.

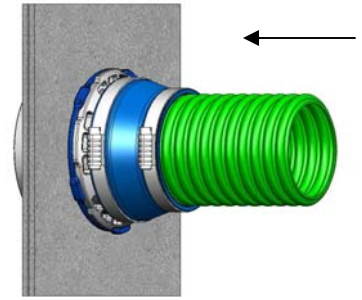


K2 Series Penetration Fittings Installation Instructions

(For Double Walled Continuously Monitored Sumps – Flexible Piping with 4 Inch Duct)

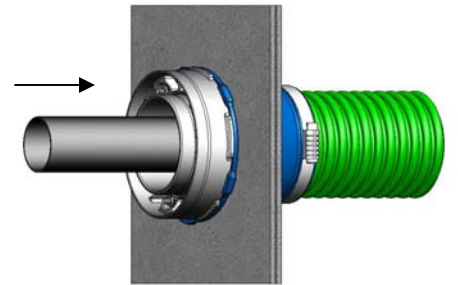
STEP 6

Slide the duct pipe in place. Be sure the corrugated duct seal is on the ducting underneath the clamp. Tighten clamp to ducting.



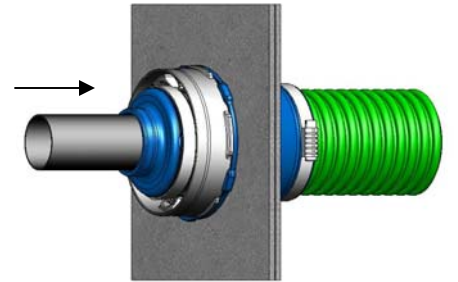
STEP 7

The product piping should enter the fitting as straight as possible at an angle of no more than 12 degrees.



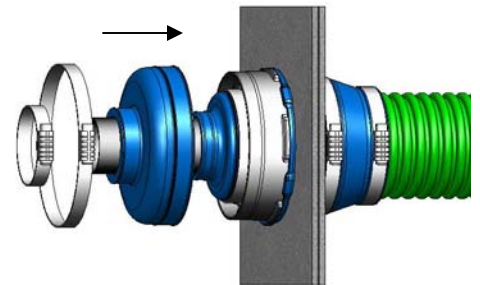
STEP 8

Install the smaller of the two interior flex boots onto the housing cuff. Tighten the clamp onto the housing cuff. Do not put a clamp on the boot to pipe connection as it will share a common clamp with the larger interior boot.



STEP 9

Install the larger of the two interior flex boots over the fitting itself ensuring that it snaps into place on the smaller interior boot. Install both interior clamps and tighten.



STEP 10

Completed installation should look as shown in Illustration 10.

