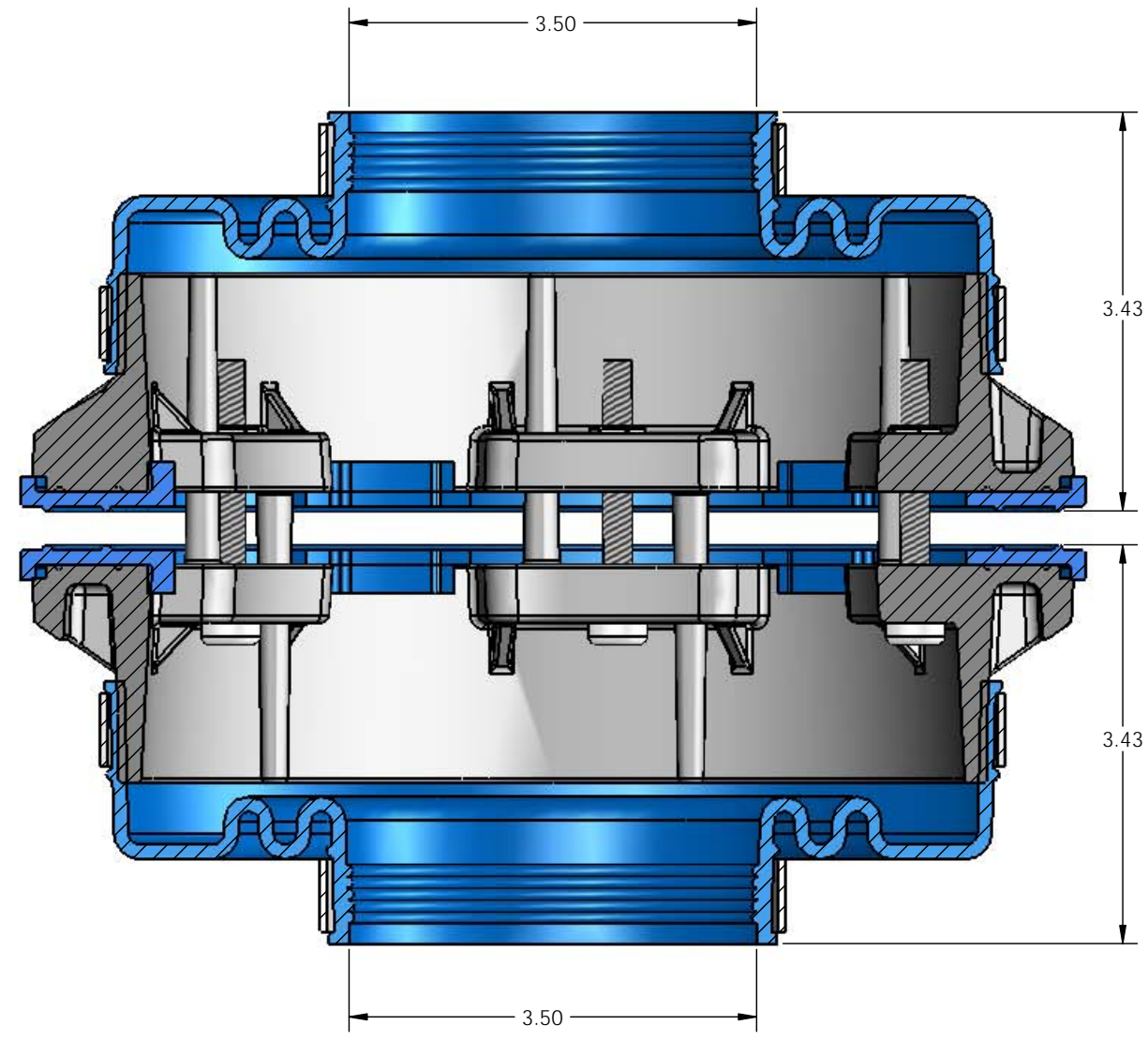
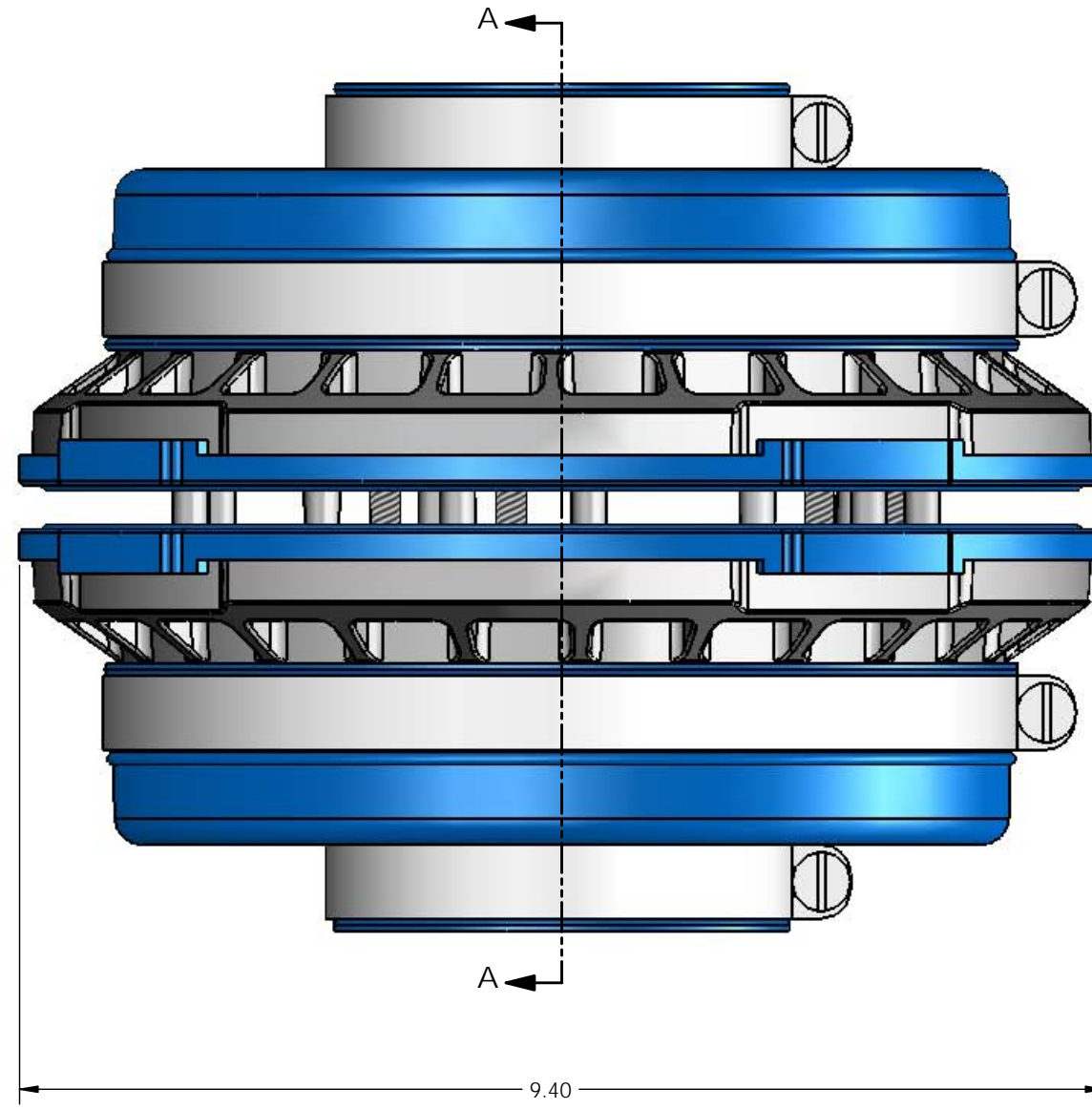



REVISIONS			
REV.	DESCRIPTION	DATE	APPROVED
A	ADDED NEW HOUSING & GASKET DESIGN	5/24/06	DH



SECTION A-A

PROPRIETARY AND CONFIDENTIAL
 THE INFORMATION CONTAINED IN THIS DRAWING IS THE SOLE PROPERTY OF BLUELINE TECHNOLOGIES LLC. ANY REPRODUCTION IN PART OR AS A WHOLE WITHOUT THE WRITTEN PERMISSION OF BLUELINE TECHNOLOGIES LLC IS PROHIBITED.

UNLESS OTHERWISE SPECIFIED:		NAME	DATE
DIMENSIONS ARE IN INCHES TOLERANCES: FRACTIONAL ± ANGULAR: MACH ± BEND ± TWO PLACE DECIMAL ± THREE PLACE DECIMAL ±		DRAWN	DH 12/15/04
MATERIAL		CHECKED	
FINISH		ENG APPR.	
DO NOT SCALE DRAWING		MFG APPR.	
		Q.A.	
		COMMENTS:	



BlueLine Technologies, LLC

TITLE: **KFD 3.5L**

SIZE C	DWG. NO. 3.5L Cross Section	REV A
SCALE: 1:1	WEIGHT:	SHEET 1 OF 1