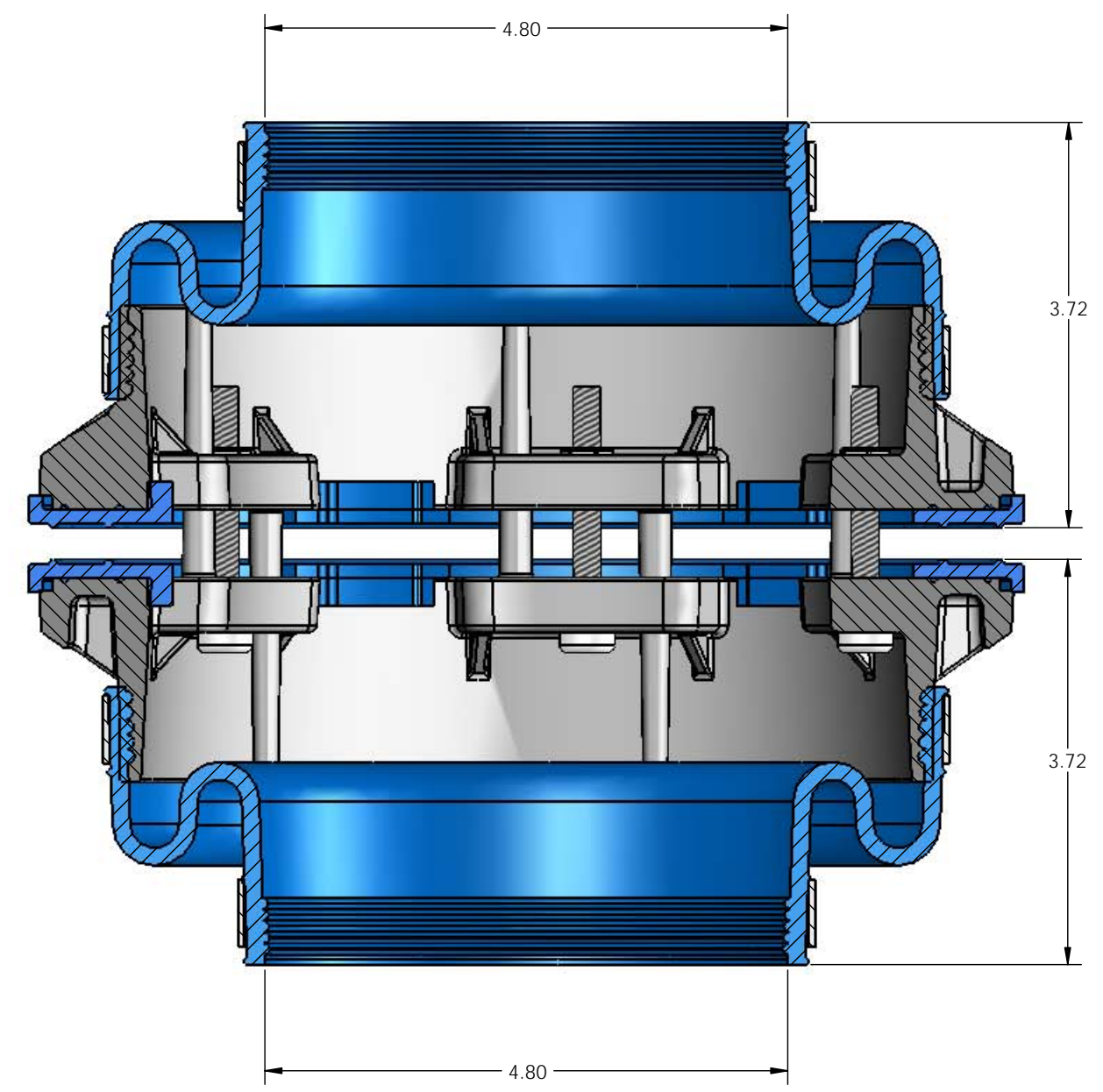
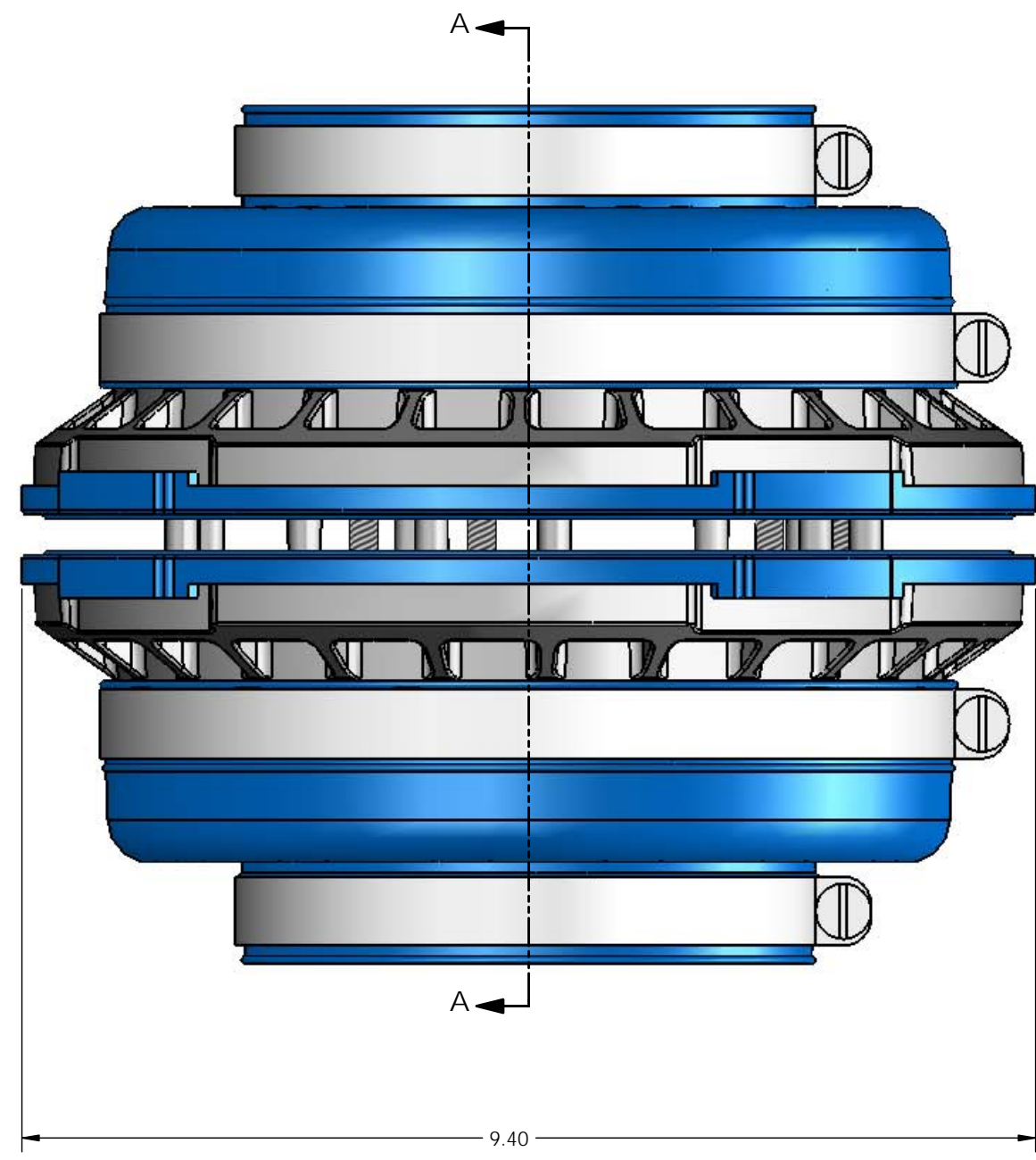


REVISIONS			
REV.	DESCRIPTION	DATE	APPROVED
A	ADDED NEW HOUSING & GASKET DESIGN	5/24/06	DH



SECTION A-A

**PROPRIETARY AND CONFIDENTIAL**  
 THE INFORMATION CONTAINED IN THIS DRAWING IS THE SOLE PROPERTY OF BLUELINE TECHNOLOGIES LLC. ANY REPRODUCTION IN PART OR AS A WHOLE WITHOUT THE WRITTEN PERMISSION OF BLUELINE TECHNOLOGIES LLC IS PROHIBITED.

UNLESS OTHERWISE SPECIFIED:		NAME	DATE
DIMENSIONS ARE IN INCHES		DRAWN	DH 12/15/04
TOLERANCES:		CHECKED	
FRACTIONAL ±		ENG APPR.	
ANGULAR: MACH ± BEND ±		MFG APPR.	
TWO PLACE DECIMAL ±		Q.A.	
THREE PLACE DECIMAL ±		COMMENTS:	
MATERIAL			
FINISH			
DO NOT SCALE DRAWING			



TITLE:		
<b>KFD 4.8</b>		
SIZE	DWG. NO.	REV
<b>C</b>	4.8 Cross Section	<b>A</b>
SCALE: 1:1	WEIGHT:	SHEET 1 OF 1