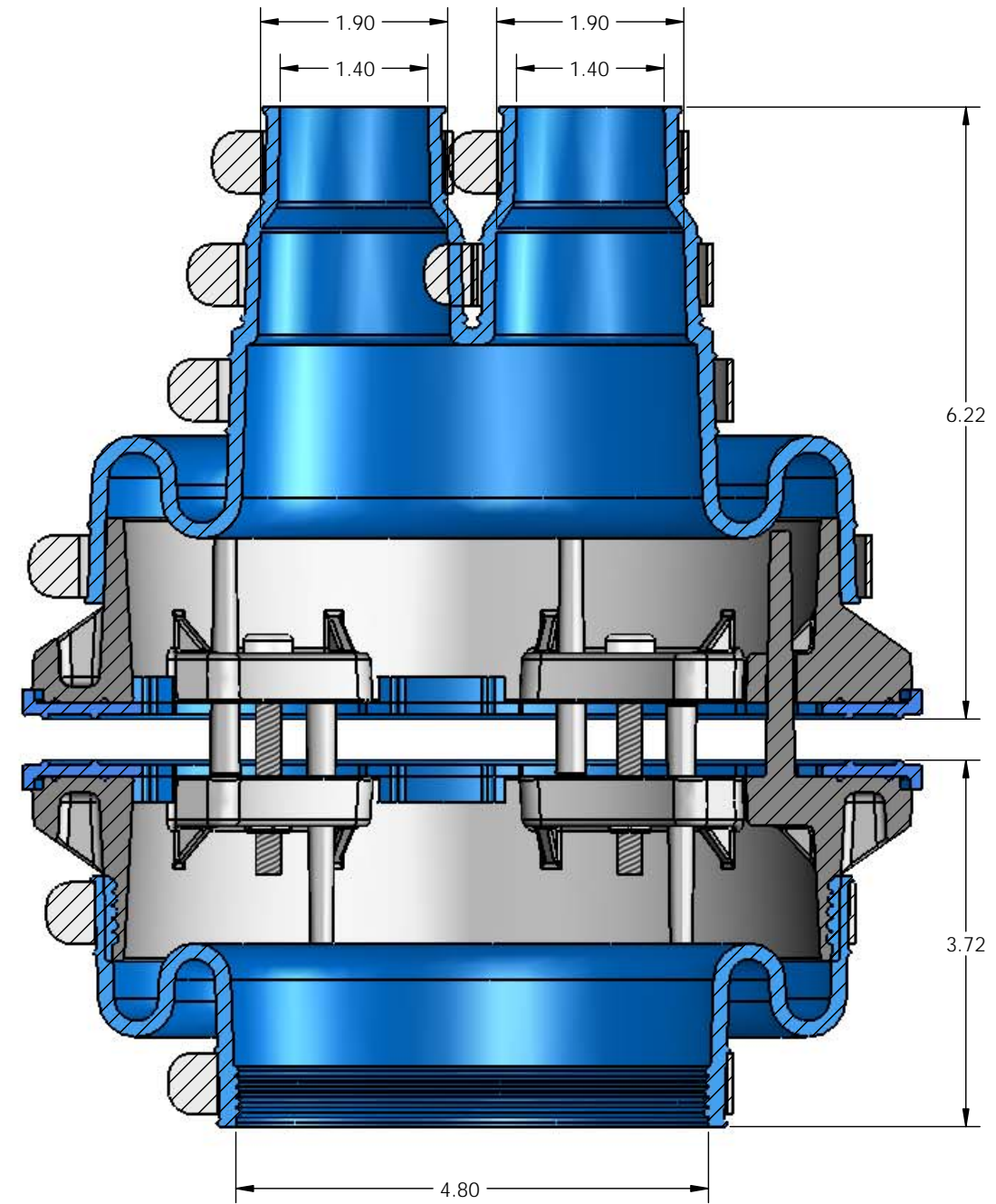
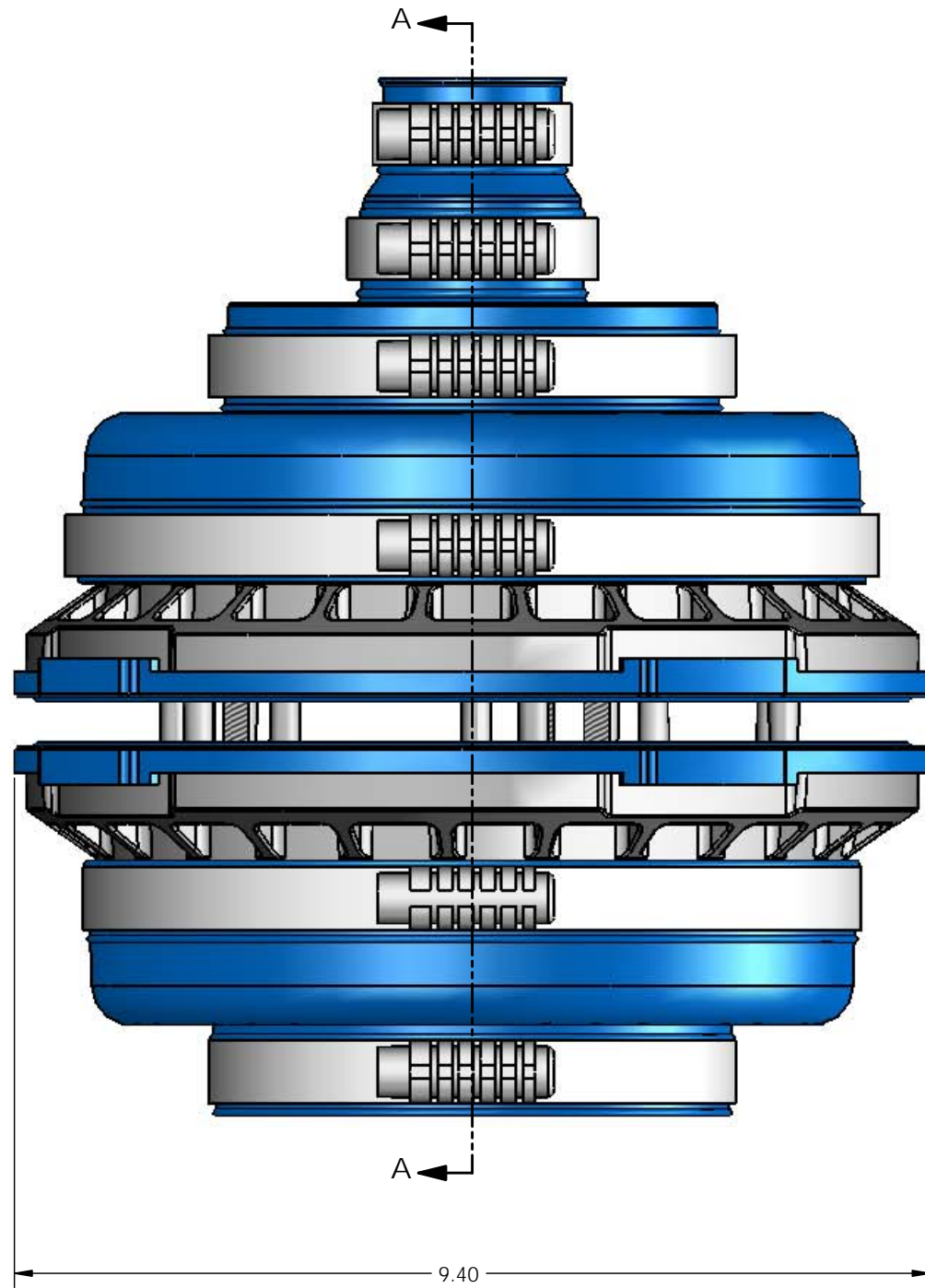


REVISIONS			
REV.	DESCRIPTION	DATE	APPROVED
A	ADDED NEW HOUSING & GASKET DESIGN	5/24/06	DH



SECTION A-A

PROPRIETARY AND CONFIDENTIAL
 THE INFORMATION CONTAINED IN THIS
 DRAWING IS THE SOLE PROPERTY OF
BLUELINE TECHNOLOGIES LLC. ANY
 REPRODUCTION IN PART OR AS A WHOLE
 WITHOUT THE WRITTEN PERMISSION OF
BLUELINE TECHNOLOGIES LLC IS PROHIBITED.

UNLESS OTHERWISE SPECIFIED:		NAME	DATE
DIMENSIONS ARE IN INCHES TOLERANCES: FRACTIONAL ± ANGULAR: MACH ± BEND ± TWO PLACE DECIMAL ± THREE PLACE DECIMAL ±		DRAWN DH	6/23/04
MATERIAL		CHECKED	
FINISH		ENG APPR.	
DO NOT SCALE DRAWING		MFG APPR.	
		Q.A.	
		COMMENTS:	



TITLE: KFD 4.8x1.9x1.4A		
SIZE C	DWG. NO. 4.8x1.9x1.4 Cross Section	REV A
SCALE: 0.875:1	WEIGHT:	SHEET 1 OF 1