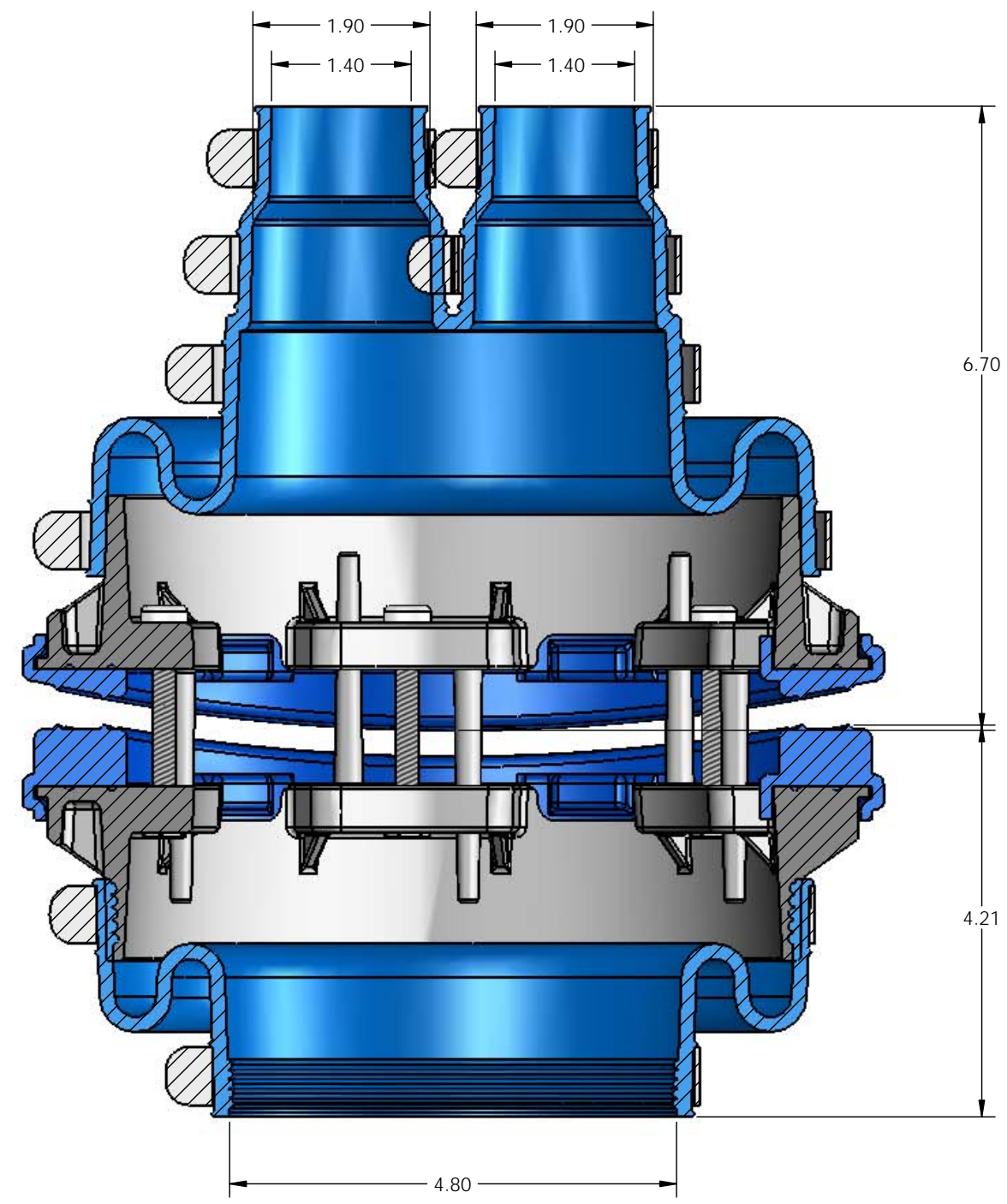
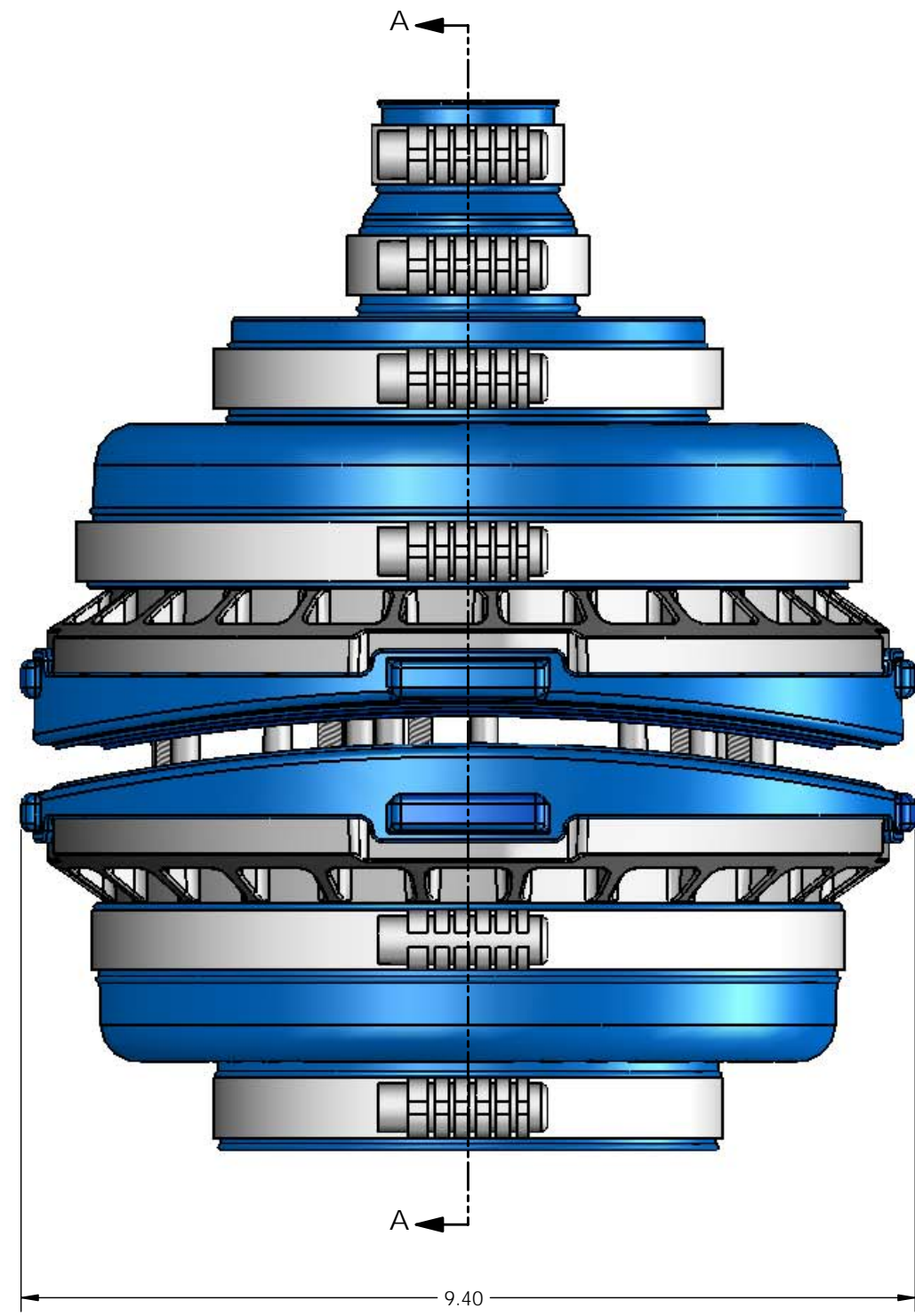



REVISIONS			
REV.	DESCRIPTION	DATE	APPROVED
A	ADDED NEW HOUSING & GASKET DESIGN	5/24/06	DH



SECTION A-A

**PROPRIETARY AND CONFIDENTIAL**  
 THE INFORMATION CONTAINED IN THIS DRAWING IS THE SOLE PROPERTY OF BLUELINE TECHNOLOGIES LLC. ANY REPRODUCTION IN PART OR AS A WHOLE WITHOUT THE WRITTEN PERMISSION OF BLUELINE TECHNOLOGIES LLC IS PROHIBITED.

UNLESS OTHERWISE SPECIFIED:		NAME	DATE
DIMENSIONS ARE IN INCHES		DRAWN	DH 6/23/04
TOLERANCES:		CHECKED	
FRACTIONAL ±		ENG APPR.	
ANGULAR: MACH ± BEND ±		MFG APPR.	
TWO PLACE DECIMAL ±		Q.A.	
THREE PLACE DECIMAL ±		COMMENTS:	
MATERIAL			
FINISH			
DO NOT SCALE DRAWING			



TITLE:  
**KFDC 4.8x1.9x1.4A**

SIZE <b>C</b>	DWG. NO. 4.8x1.9x1.4 Cross Section	REV <b>A</b>
SCALE: 0.875:1	WEIGHT:	SHEET 1 OF 1