

ABKFD, KFD & KFDC Kwik Fit Series

The ABKFD, KFD & KFDC Kwik Fit Series are double sided new construction fittings designed for single walled sumps. The Kwik Fit Series offers all the security of a rigid fitting with a mechanically secured rigid housing and all the benefits of a flexible Pellethane reducer boot to help absorb pipe and ground movement.

FEATURES & BENEFITS

Durability

- Rigid housing construction
- Incorporates Improved UL Listed Pellethane® flexible reducers

Simple Installation

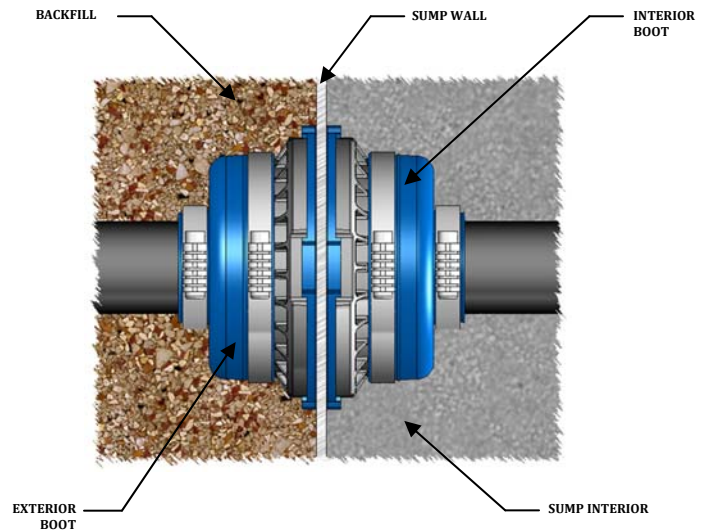
- Simplified installation, drill one hole only
- Simple locating pins align and hold fitting for one man installation
- Unique internal bolting design gives maximum torque and removes the need for additional bolt holes through the sump wall

Works on any Sump

- Simplified fitting sizes and choices
- Work on flat or curved sumps
- The UL Listed Pellethane® reducers can be purchased separately from the housings allowing easy repair or re-pipe

Angled Entries

- Provides excellent flex features for angled entries, sideways AND lateral movement up to 12°
- Provides maximum mechanical flange torque for total sealing pressure



ALL PELLETHANE REDUCERS UL LISTED
FILE NUMBER MH28727

