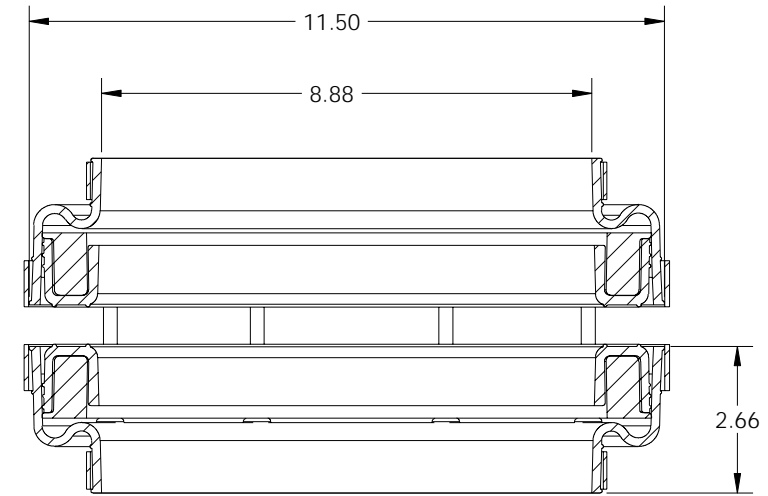
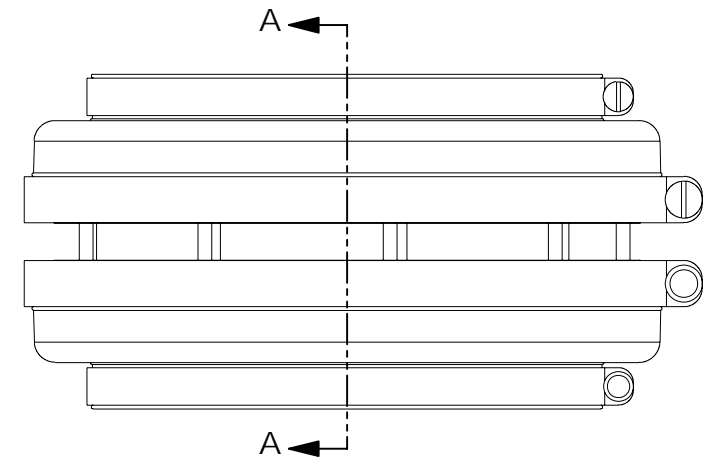
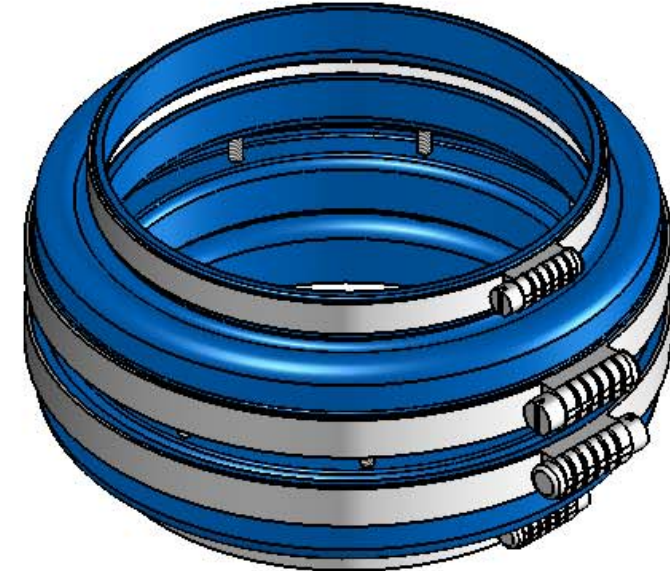
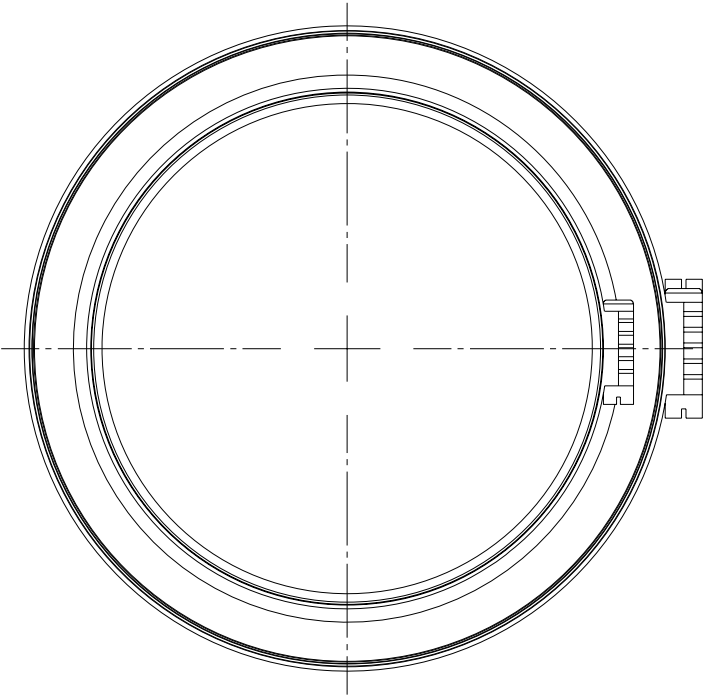


| REVISIONS | | | |
|-----------|-------------|------|----------|
| REV. | DESCRIPTION | DATE | APPROVED |
| | | | |



SECTION A-A

PROPRIETARY AND CONFIDENTIAL
 THE INFORMATION CONTAINED IN THIS DRAWING IS THE SOLE PROPERTY OF BLUELINE TECHNOLOGIES LLC. ANY REPRODUCTION IN PART OR AS A WHOLE WITHOUT THE WRITTEN PERMISSION OF BLUELINE TECHNOLOGIES LLC IS PROHIBITED.

| | | |
|-----------------------------|-----------|------------|
| UNLESS OTHERWISE SPECIFIED: | NAME | DATE |
| DIMENSIONS ARE IN INCHES | DRAWN | DH 12/1/04 |
| TOLERANCES: | CHECKED | |
| FRACTIONAL ± | ENG APPR. | |
| ANGULAR: MACH ± BEND ± | MFG APPR. | |
| TWO PLACE DECIMAL ± | Q.A. | |
| THREE PLACE DECIMAL ± | COMMENTS: | |
| MATERIAL | | |
| PELLETHANE | | |
| FINISH | | |
| DO NOT SCALE DRAWING | | |



| | | |
|---------------|----------|--------------|
| TITLE: | | |
| PED 8.8 | | |
| SIZE | DWG. NO. | REV |
| C | PED 8.8 | |
| SCALE: 1:2.25 | WEIGHT: | SHEET 1 OF 1 |