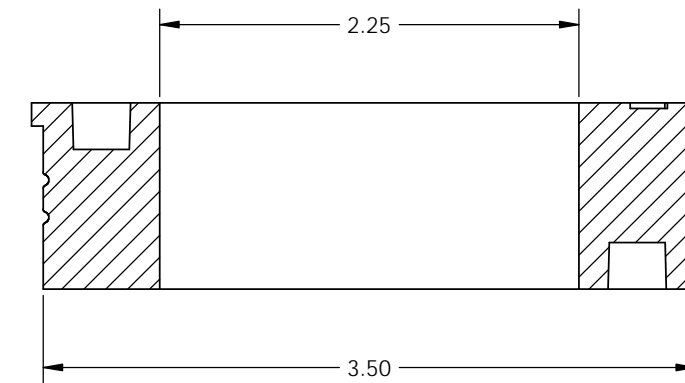
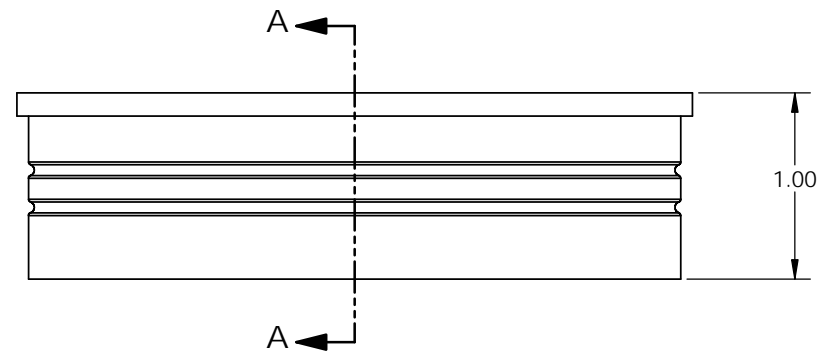
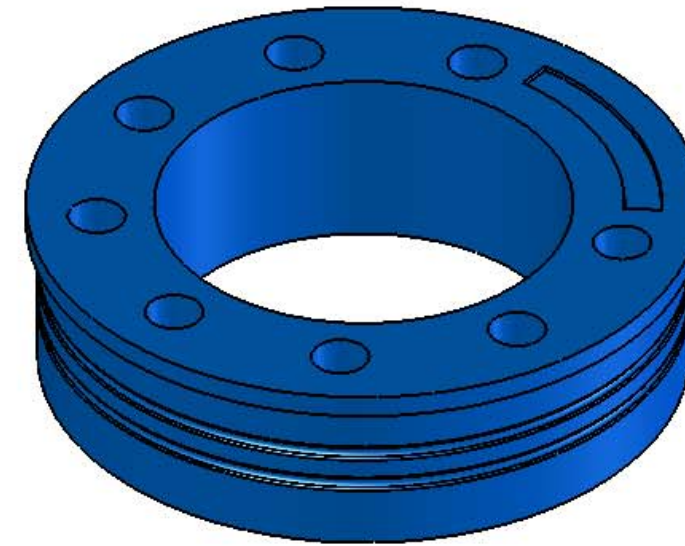
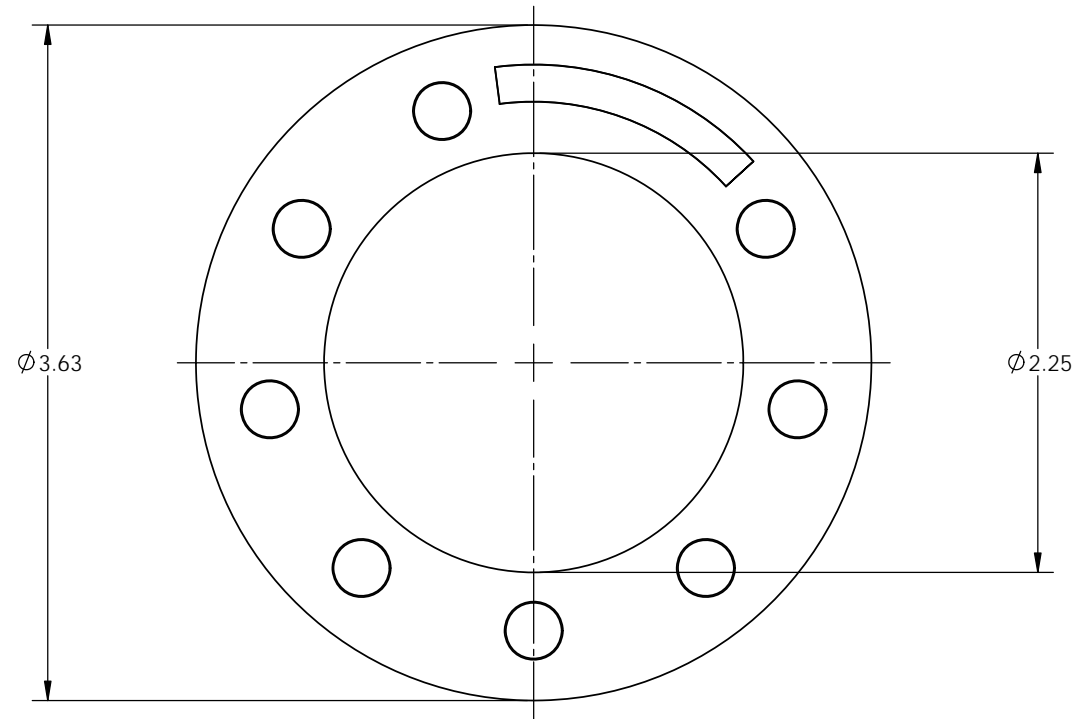



REVISIONS			
REV.	DESCRIPTION	DATE	APPROVED



SECTION A-A

**PROPRIETARY AND CONFIDENTIAL**  
 THE INFORMATION CONTAINED IN THIS  
 DRAWING IS THE SOLE PROPERTY OF  
**BLUELINE TECHNOLOGIES LLC**. ANY  
 REPRODUCTION IN PART OR AS A WHOLE  
 WITHOUT THE WRITTEN PERMISSION OF  
**BLUELINE TECHNOLOGIES LLC** IS PROHIBITED.

UNLESS OTHERWISE SPECIFIED:	NAME	DATE
DIMENSIONS ARE IN INCHES	DRAWN	DH 12/1/04
TOLERANCES:	CHECKED	
FRACTIONAL ±	ENG APPR.	
ANGULAR: MACH ± BEND ±	MFG APPR.	
TWO PLACE DECIMAL ±	Q.A.	
THREE PLACE DECIMAL ±	COMMENTS:	
MATERIAL		
PELLETHANE		
FINISH		
DO NOT SCALE DRAWING		



**BlueLine Technologies, LLC**

TITLE:  
**PELLETHANE INSERT 3.5x2.25**

SIZE	DWG. NO.	REV
<b>C</b>	PEI 3.5x2.25	

SCALE: 1.5:1	WEIGHT:	SHEET 1 OF 1
--------------	---------	--------------