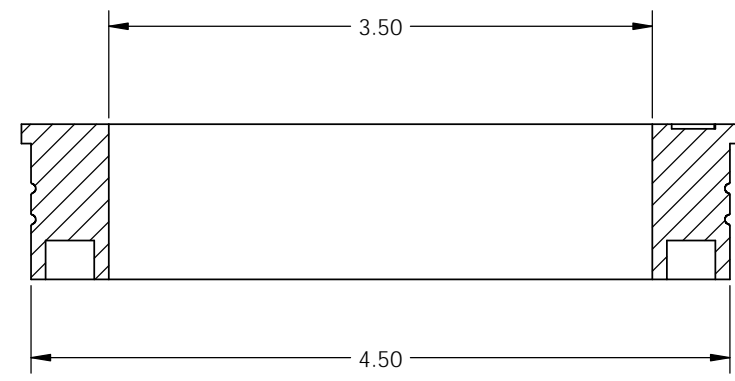
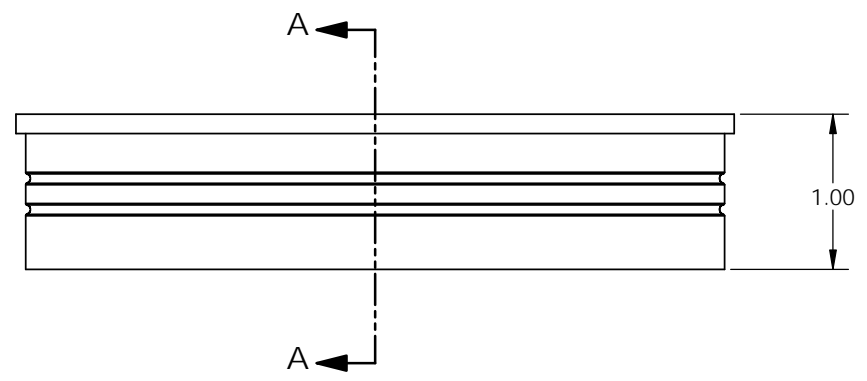
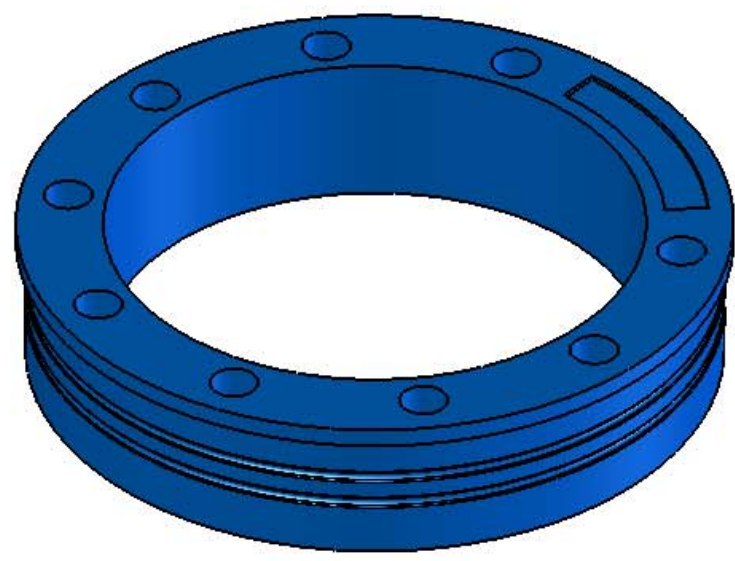
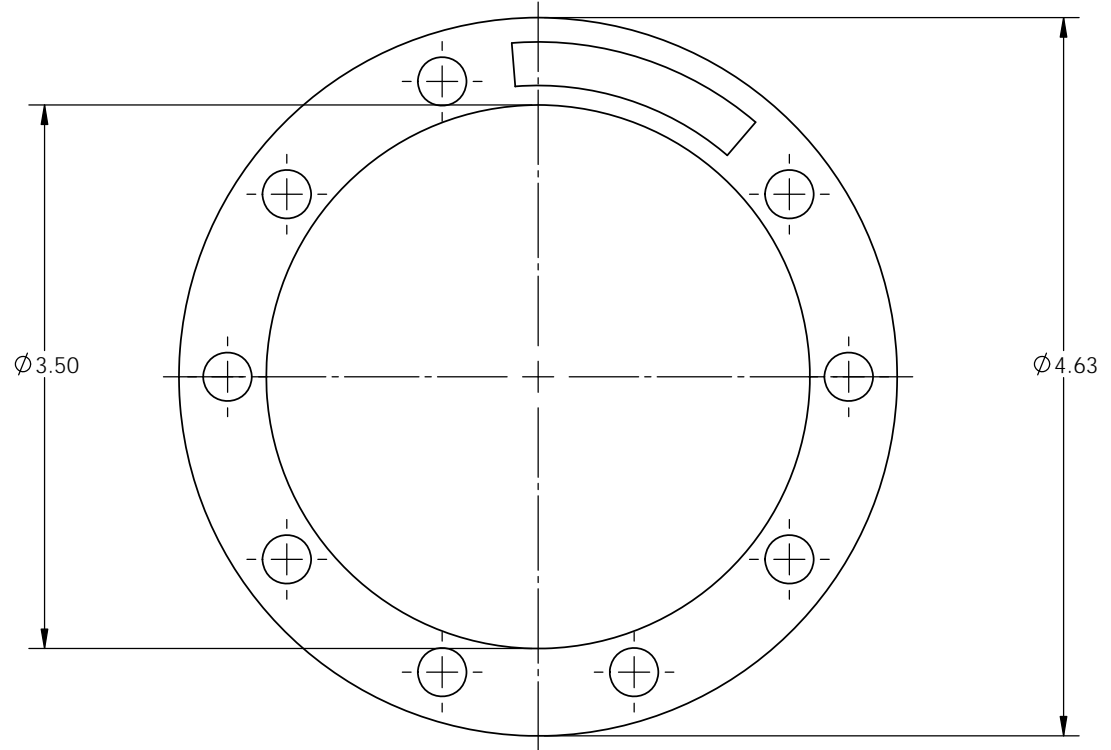


REVISIONS			
REV.	DESCRIPTION	DATE	APPROVED



SECTION A-A

PROPRIETARY AND CONFIDENTIAL
 THE INFORMATION CONTAINED IN THIS DRAWING IS THE SOLE PROPERTY OF BLUELINE TECHNOLOGIES LLC. ANY REPRODUCTION IN PART OR AS A WHOLE WITHOUT THE WRITTEN PERMISSION OF BLUELINE TECHNOLOGIES LLC IS PROHIBITED.

UNLESS OTHERWISE SPECIFIED:		NAME	DATE
DIMENSIONS ARE IN INCHES		DRAWN	DH 12/1/04
TOLERANCES:		CHECKED	
FRACTIONAL: \pm		ENG APPR.	
ANGULAR: MACH \pm BEND \pm		MFG APPR.	
TWO PLACE DECIMAL \pm		Q.A.	
THREE PLACE DECIMAL \pm		COMMENTS:	
MATERIAL	PELLETHANE		
FINISH			
DO NOT SCALE DRAWING			



TITLE: PELLETHANE INSERT 4.5x3.5		
SIZE C	DWG. NO. PEI 4.5x3.5	REV
SCALE: 1.25:1	WEIGHT:	SHEET 1 OF 1