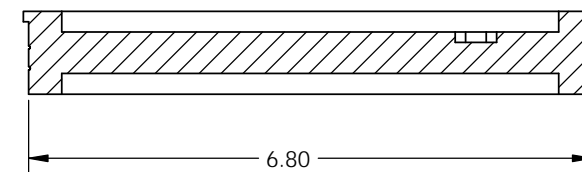
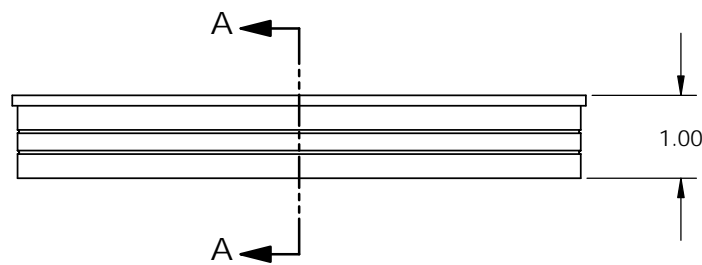
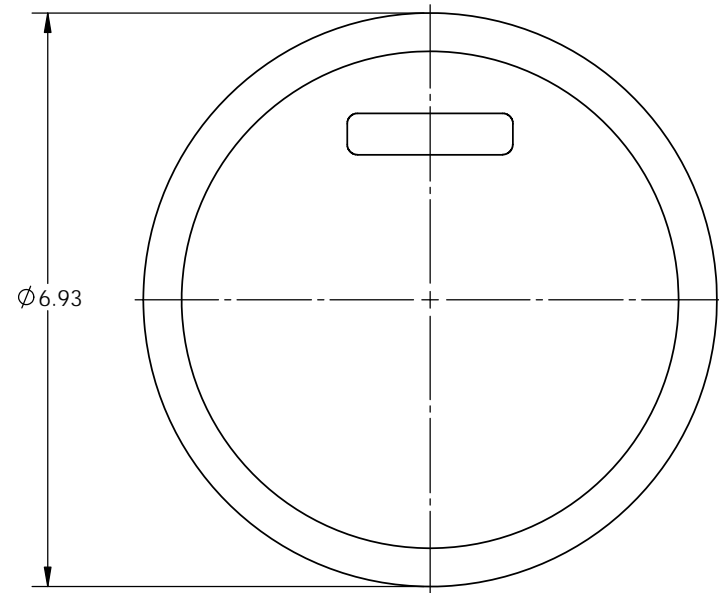


REVISIONS			
REV.	DESCRIPTION	DATE	APPROVED



SECTION A-A

PROPRIETARY AND CONFIDENTIAL
 THE INFORMATION CONTAINED IN THIS DRAWING IS THE SOLE PROPERTY OF BLUELINE TECHNOLOGIES LLC. ANY REPRODUCTION IN PART OR AS A WHOLE WITHOUT THE WRITTEN PERMISSION OF BLUELINE TECHNOLOGIES LLC IS PROHIBITED.

UNLESS OTHERWISE SPECIFIED:	NAME	DATE
DIMENSIONS ARE IN INCHES	DRAWN	DH 12/1/04
TOLERANCES:	CHECKED	
FRACTIONAL \pm	ENG APPR.	
ANGULAR: MACH \pm BEND \pm	MFG APPR.	
TWO PLACE DECIMAL \pm	Q.A.	
THREE PLACE DECIMAL \pm	COMMENTS:	
MATERIAL		
PELLETHANE		
FINISH		
DO NOT SCALE DRAWING		



TITLE: PELLETHANE INSERT 6.8xPlug		
SIZE C	DWG. NO. PEI 6.8xPlug	REV
SCALE: 1:1.5	WEIGHT:	SHEET 1 OF 1