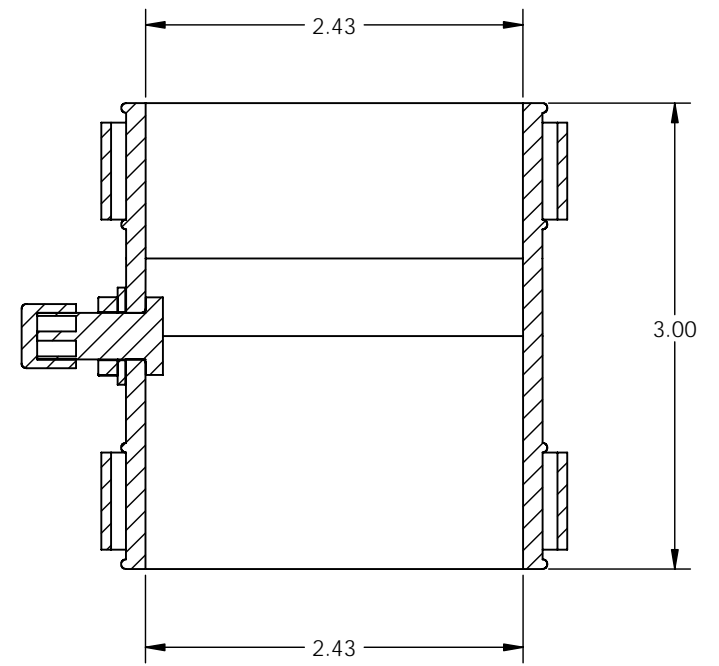
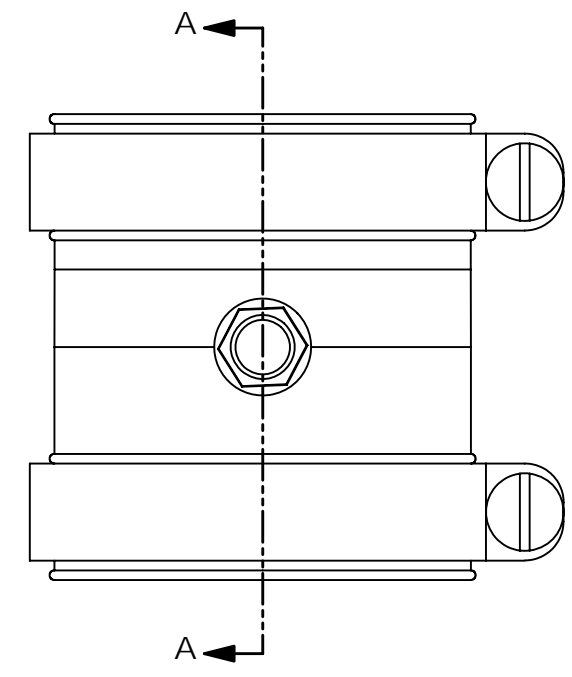
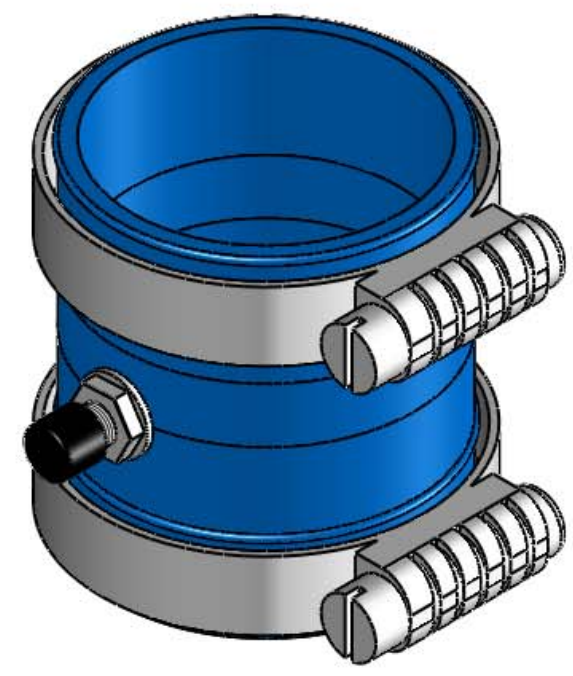
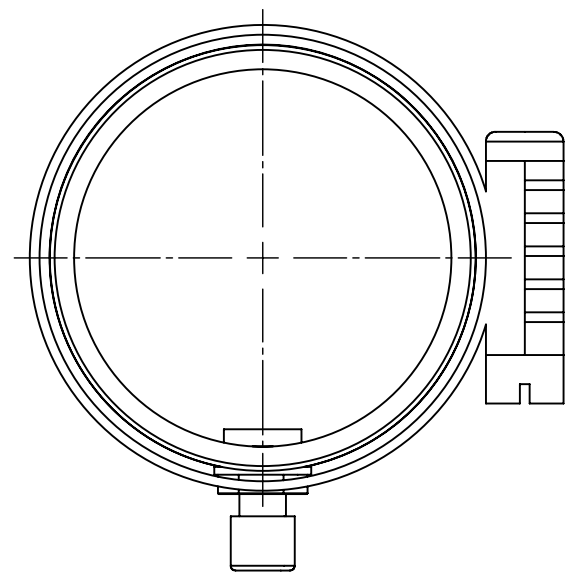


| REVISIONS |             |      |          |
|-----------|-------------|------|----------|
| REV.      | DESCRIPTION | DATE | APPROVED |
|           |             |      |          |



SECTION A-A

**PROPRIETARY AND CONFIDENTIAL**  
 THE INFORMATION CONTAINED IN THIS  
 DRAWING IS THE SOLE PROPERTY OF  
**BLUELINE TECHNOLOGIES LLC**. ANY  
 REPRODUCTION IN PART OR AS A WHOLE  
 WITHOUT THE WRITTEN PERMISSION OF  
**BLUELINE TECHNOLOGIES LLC** IS PROHIBITED.

|                             |           |            |
|-----------------------------|-----------|------------|
| UNLESS OTHERWISE SPECIFIED: | NAME      | DATE       |
| DIMENSIONS ARE IN INCHES    | DRAWN     | DH 12/1/04 |
| TOLERANCES:                 | CHECKED   |            |
| FRACTIONAL: ±               | ENG APPR. |            |
| ANGULAR: MACH ± BEND ±      | MFG APPR. |            |
| TWO PLACE DECIMAL ±         | Q.A.      |            |
| THREE PLACE DECIMAL ±       | COMMENTS: |            |
| MATERIAL                    |           |            |
| FINISH                      |           |            |
| DO NOT SCALE DRAWING        |           |            |



|               |              |              |
|---------------|--------------|--------------|
| TITLE:        |              |              |
| PER 2.4x2.4A  |              |              |
| SIZE          | DWG. NO.     | REV          |
| C             | PER 2.4x2.4A |              |
| SCALE: 1.25:1 | WEIGHT:      | SHEET 1 OF 1 |