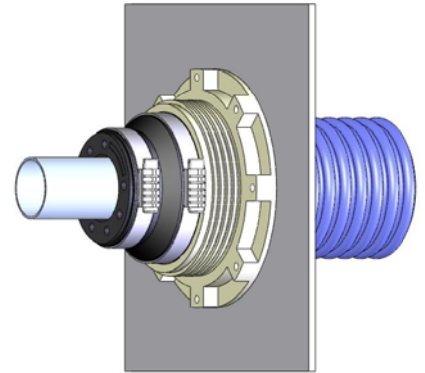


TCI Non-Split Repair Installation Instructions

(For TCI boot replacement repairs)

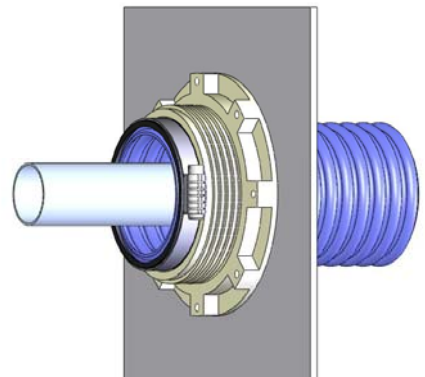
STEP 1

Once the new pipe is installed through the fitting and into the sump, use a knife and cut the old boot along the edge of the inner clamp.



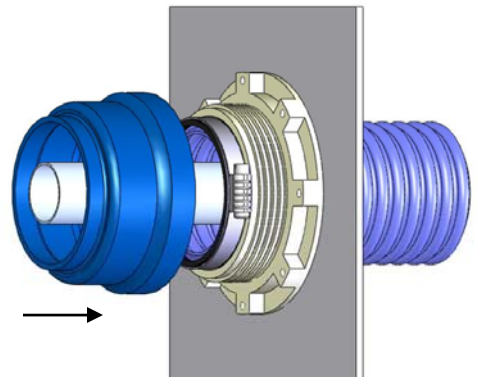
STEP 2

Remove the cut portion of the boot from the pipe and discard.



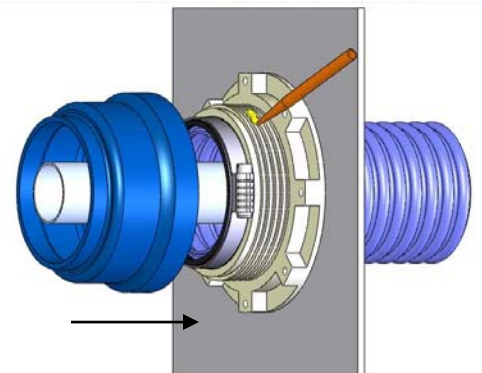
STEP 3

Install the TCI boot over the end of the pipe.



STEP 4

Apply a bead of Blue Bond 801 around the housing threads and thread the TCI boot onto the housing.

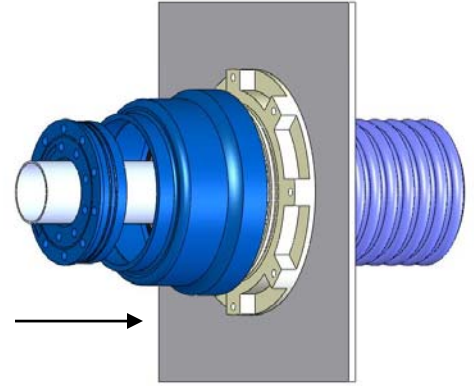


TCI Non-Split Repair Installation Instructions

(For TCI boot replacement repairs)

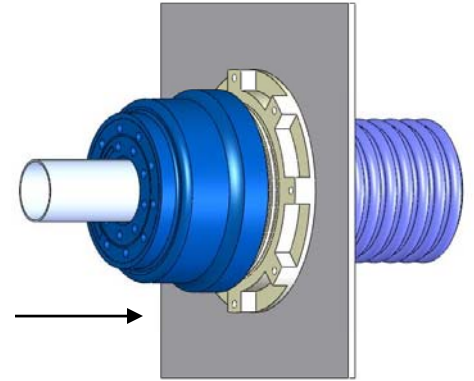
STEP 5

Install the insert over the end of the pipe.



STEP 6

Install the insert into the repair boot.



STEP 7

Install the inner and outer clamps and tighten to 65 inch lbs.

